

TECEsquare Satin Glass PUSH PLATE

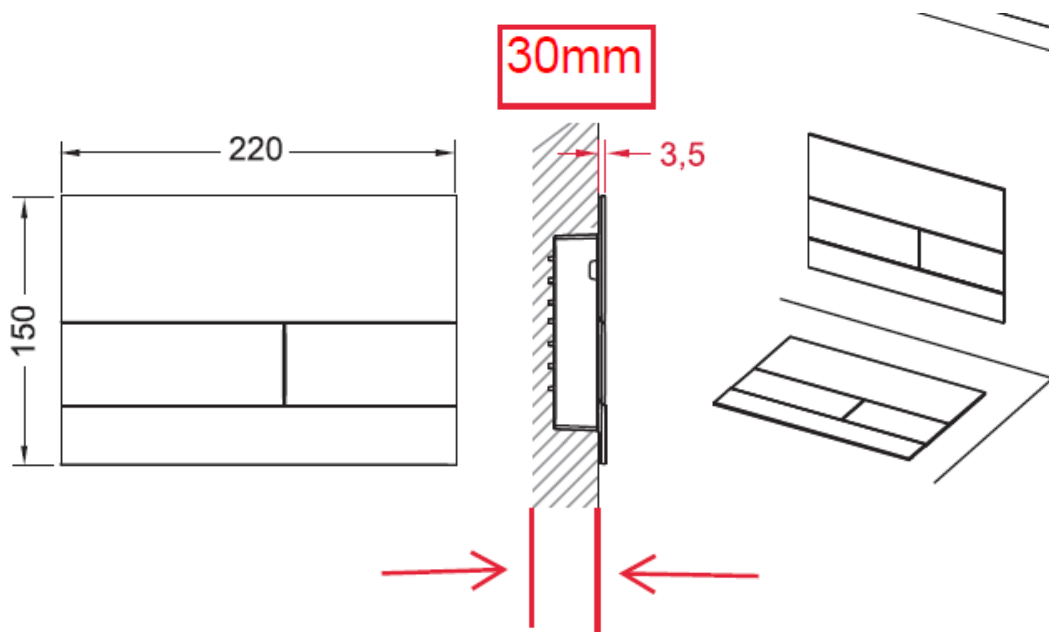
TECE
close to you

| | |
|---------------|-----------|
| White Satin - | 9.240.824 |
| Black Satin - | 9.240.825 |
| Grey Satin - | 9.240.826 |
| Beige Satin - | 9.240.827 |

Suitable for use with all TECE Cisterns

Minimum wall thickness for button installation is 30mm (includes sheeting and tiles)

When using wall hung cisterns TECE recommend using compressed sheeting/non flexing board.



30mm wall thickness required including tiles and sheeting

Proudly imported and distributed by
Gro Agencies Pty Ltd
Unit 2 / 37 Howe St, Osborne Park, WA, 6017
P 08 9446 3288 E info@groagencies.com.au W www.groagencies.com.au

gro
agencies