

# TECEsquare Glass PUSH PLATE

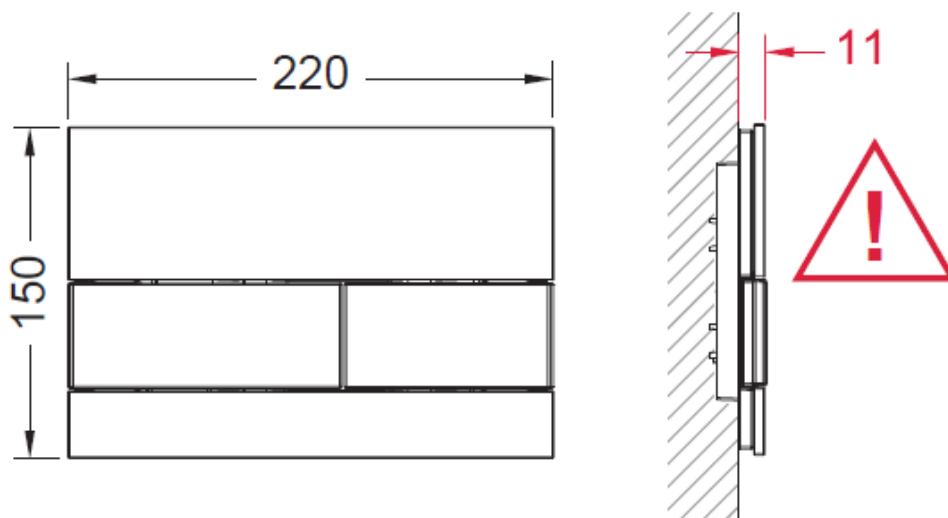
**TECE**  
close to you

White/White -	9.240.800
White/S-Steel -	9.240.801
White/Chrome -	9.240.802
Black/S-Steel -	9.240.806
Black/Chrome -	9.240.807
Black/Black -	9.240.809

Suitable for use with all TECE Cisterns

Minimum wall thickness for button installation  
is 18mm (includes sheeting and tiles)

When using wall hung cisterns TECE  
recommend using compressed  
sheeting/non flexing board.



Proudly imported and distributed by  
Gro Agencies Pty Ltd  
Unit 2 / 37 Howe St, Osborne Park, WA, 6017  
P 08 9446 3288 E [info@groagencies.com.au](mailto:info@groagencies.com.au) W [www.groagencies.com.au](http://www.groagencies.com.au)

**gro**  
agencies